

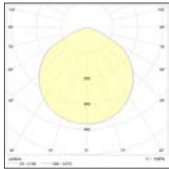
## LED LIGHTING

# EVA Series - Hand lamp – Copper-free aluminium

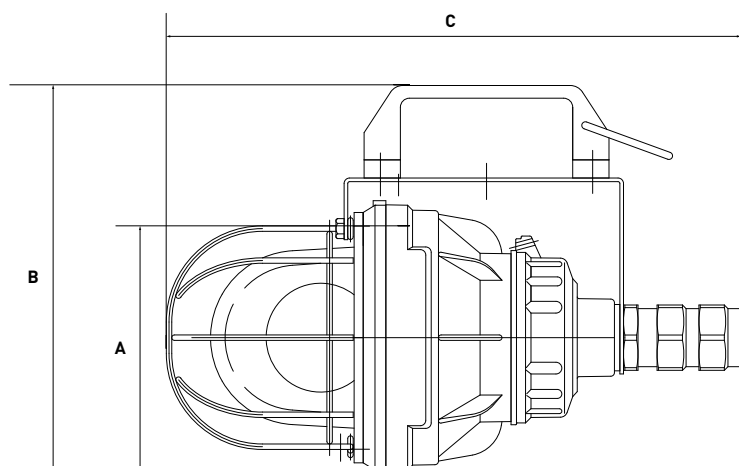


- Portable lights provided with insulated handle to assure safety working conditions for operators.
- Made of copper-free aluminium and suitable for LED lamp.
- Possibility to install a protection guard.

## TECHNICAL FEATURES

<b>Material</b>	Copper-free aluminium
<b>IP rating</b>	IP66
<b>Ambient temperature range</b>	-52°C to +60°C
<b>Approvals</b>	ATEX 01ATEX0019X - IECEx INE 15.0031X TR CU RA RU BH02 616 - ECAS 21-04-10282 E21-04-021858
<b>Marking</b>	II 2 G Ex db IIC T3 Gb Ex tb IIIC T200°C Db IP66
<b>Gaskets</b>	O-ring made of Nitrile Rubber (NBR)
<b>Surface treatment</b>	Polyurethane painting cycle - Blue RAL5014 (other colours on request)
<b>Entries</b>	N° 1 entry M25x1,5 complete with brass nickel chrome plated cable gland PAP type
<b>Included accessories</b>	AISI304 Stainless steel external hardware and screws
<b>Lamps</b>	Included
<b>Rated operation voltage (UE)</b>	230 V (standard) 220 V, 240 V (upon request)
<b>Frequency</b>	50/60 Hz
<b>Optional accessories</b>	Protection guard Brass nickel chrome plated cable gland PAP type complete with set of inner and outer seals
<b>Photometric curve</b>	

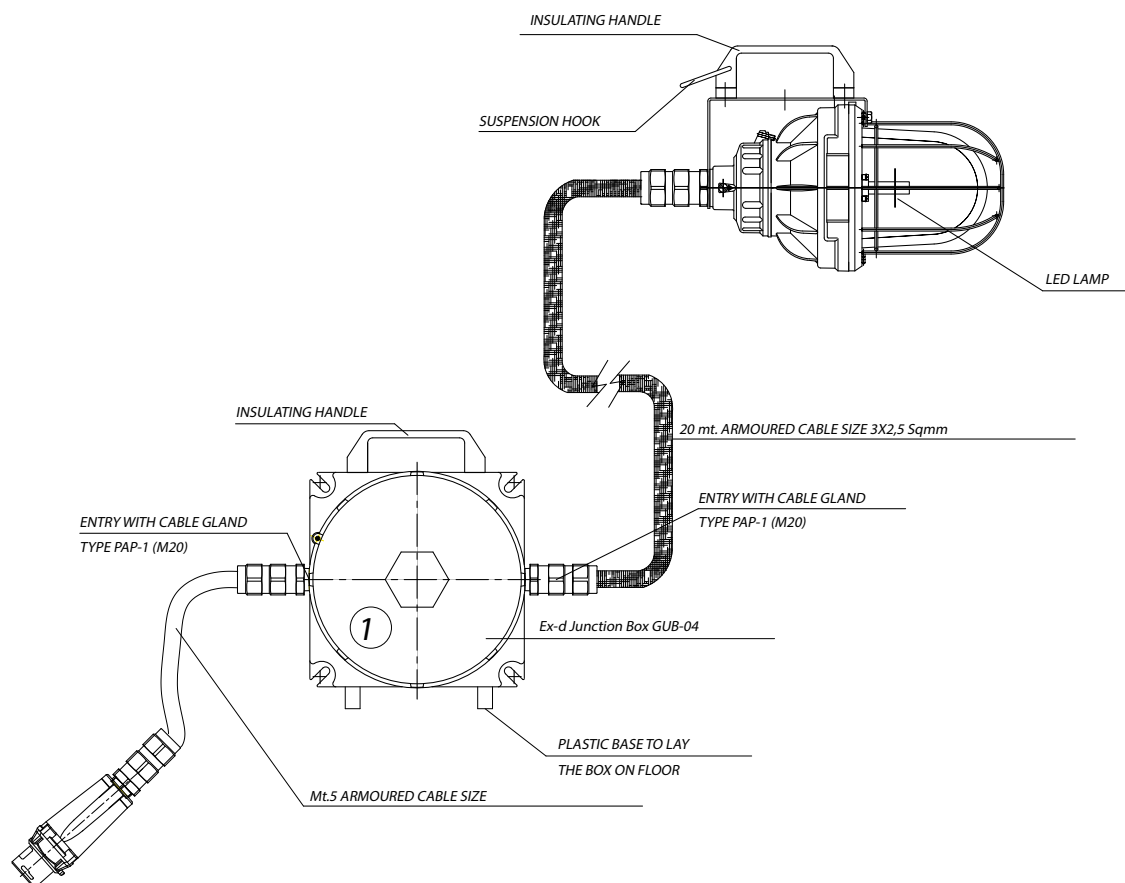
## Dimensions EVA



## EVA LED – Hand lamp

TYPE	CODE	LAMP [W]	WEIGHT [Kg]	TEMP. CLASS	DIMENSIONS [mm]		
					A	B	C
EVA-1	A030160710001	8	2.90	T3	123	212	312

## Optional: with portable transformer unit



### NOTE :

EXECUTION Ex de IIC T3

DEGREE OF PROTECTION IP-65

EXTERNAL PAINTED COLOUR RAL 5014 CORROSION PROOF FOR Ex-d ALUMINIUM TRANSFORMER ENCLOSURE

EXTERNAL PAINTED COLOUR RAL 5014 CORROSION PROOF FOR HAND LAMP

MATERIAL : COPPER FREE ALUMINIUM FOR TRANSFORMER ENCLOSURE

MATERIAL : COPPER FREE ALUMINIUM FOR HAND LAMP

MATERIAL : STAINLESS STEEL FOR PROTECTION GUARD

MATERIAL : RESIN FOR PLUG